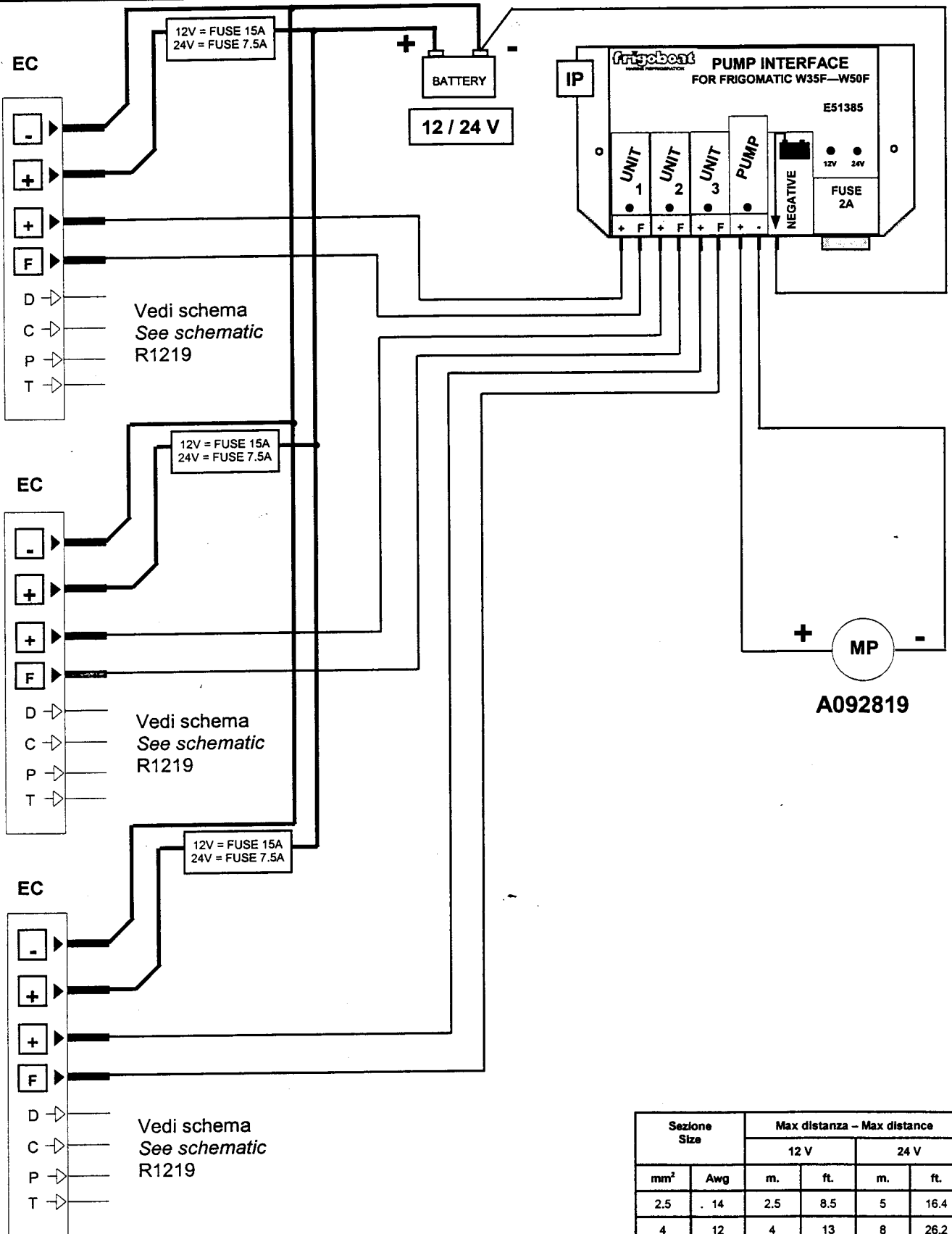


ELECTRICAL SCHEMATIC FOR 2 OR 3 FRIGOMATIC W 35F AND W50F 12/24 V WITH 1 PUMP AND PUMP INTERFACE E51385

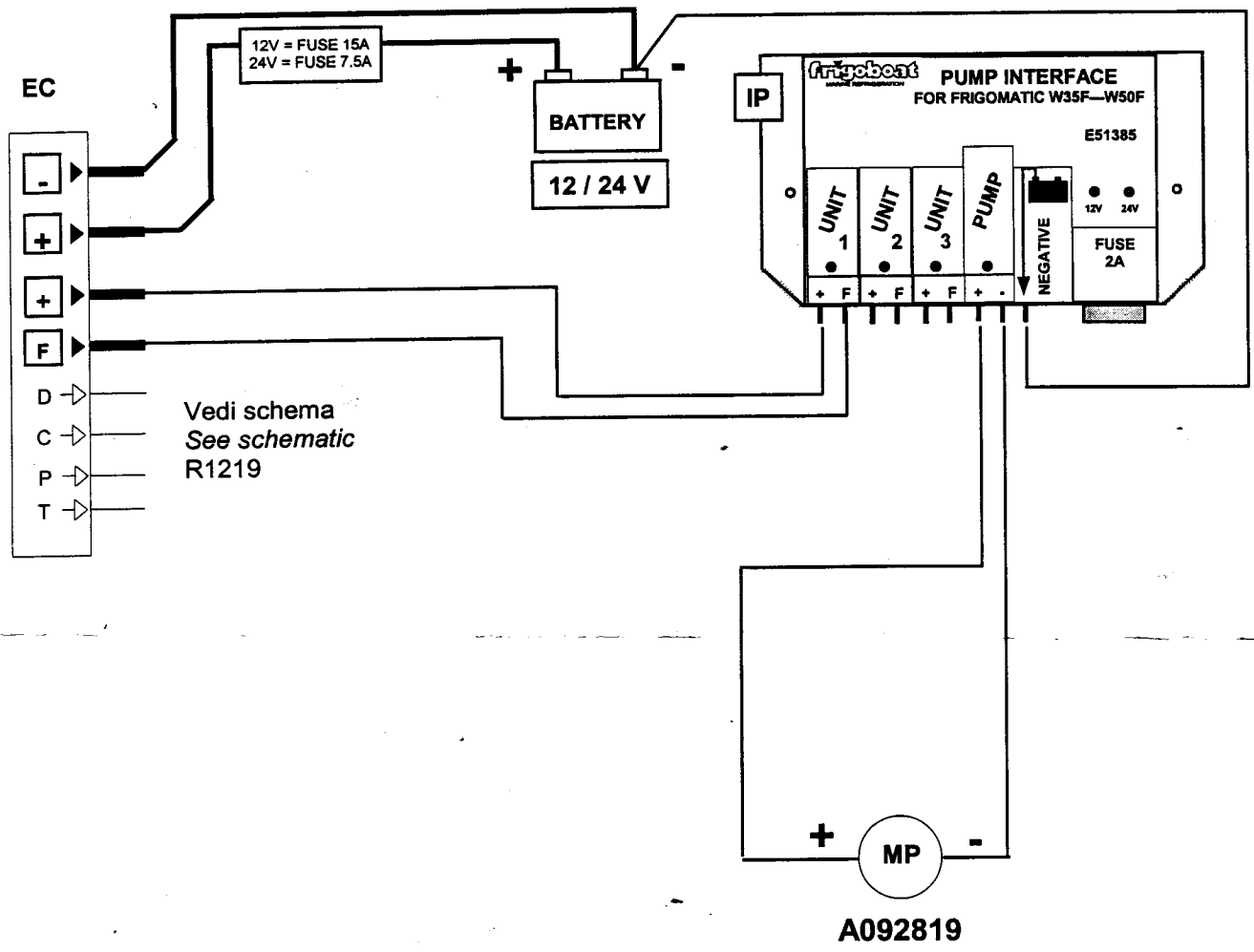


Sezione Size		Max distanza - Max distance			
		12 V		24 V	
mm ²	Awg	m.	ft.	m.	ft.
2.5	14	2.5	8.5	5	16.4
4	12	4	13	8	26.2
6	10	6	19.6	12	39.4
10	8	10	33	20	65.6

EC = Electronic controller - Electronique - Elettronica. E50895
 IP = Pump interface - Interface pompe - Interfaccia pompa .E51385
 MP = Selfpriming pump - Pompe autoamorcante - Pompa autodescante - .A092819



ELECTRICAL SCHEMATIC FOR FRIGOMATIC W35F AND W50F 12/24 V WITH 1 PUMP AND PUMP INTERFACE E51385



Sezione Size		Max distanza - Max distance			
		12 V		24 V	
mm ²	Awg	m.	ft.	m.	ft.
2.5	14	2.5	8.5	5	16.4
4	12	4	13	8	26.2
6	10	6	19.6	12	39.4
10	8	10	33	20	65.6

EC = Electronic controller - Electronique - Elettronica. E50895
IP = Pump interface - Interface pompe - Interfaccia pompa .E51385
MP = Selfpriming pump - Pompe autoamorçante - Pompa autodescante - .A092819